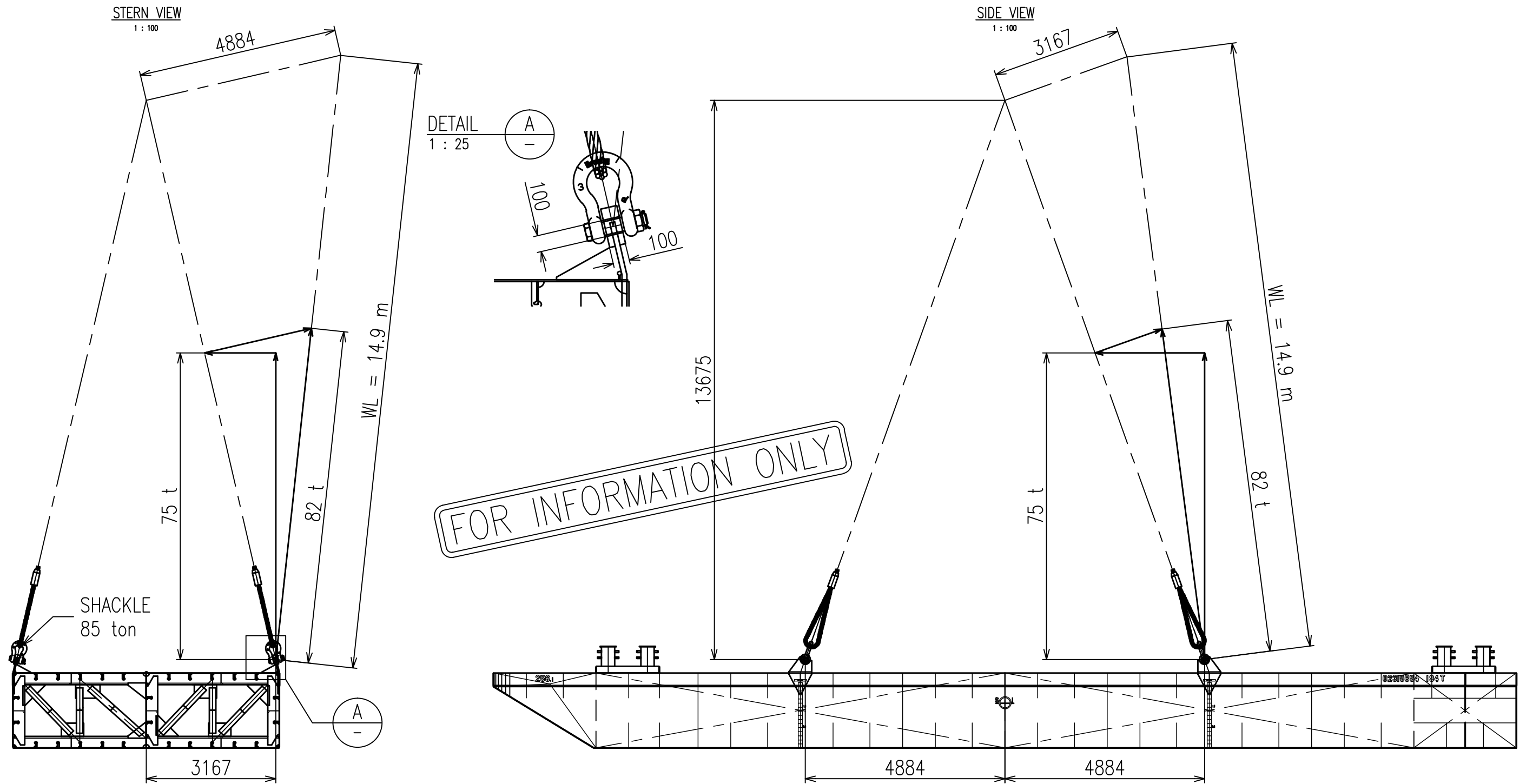


# LIFTING ARRANGEMENT



**Remark:**  
 MAXIMUM ALLOWABLE TEST WEIGHT: 292t  
 RIGGING IS NOT INCLUDED IN THE MAXIMUM ALLOWABLE TEST WEIGHT.  
 THIS LIFTING ARRANGEMENT IS TYPICAL. OTHER CONFIGURATIONS CAN BE ENGINEERED AT REQUEST.  
 BALLAST CONFIGURATION TO BE DETERMINED BASED ON TEST WEIGHT AND LIFTING ARRANGEMENT.

E	LAYOUT	JV	19-05-2015
D	KICK-RAIL	JV	20-01-2012
C	DECK-LAYOUT CHANGED	JV	19-07-2011
B	UP-DATED	JV	01-09-2010
A	SLING LENGTH	WG	02-08-2010
0	FIRST ISSUE	JV	14-07-2010
NO.	REMARKS	DRAWN	DATE
Approved:		Date:	
Approved:		Date:	

NOTE: Particulars of unit believed to be correct but not guaranteed and are subject to change

**Muller Zwaar Transport BV**

Merwekade 82-83, 3311TH Dordrecht  
 PObox 400, 3300AK Dordrecht  
 Phone: +31 (0)78 639 2000  
 Fax: +31 (0)78 639 2019  
 E-mail: engineering@muller-dordrecht.nl



**TEST PONTOON 256-1**  
 LIFTING ARRANGEMENT

Principal **MULLER ZWAAR TRANSPORT**  
 DORDRECHT - THE NETHERLANDS

Project 256-1 Sheet 1

Dwg. 19.001 Nr. of Sh. 1

Projection Scale 1 : 100  
 Drawn JV  
 Date 14-07-2010  
 Size **A3**

NOTICE : This drawing and the information it contains are the property of Muller Zwaar Transport BV and may not be reproduced or used in part or in whole for any purpose except by written permission of this company.