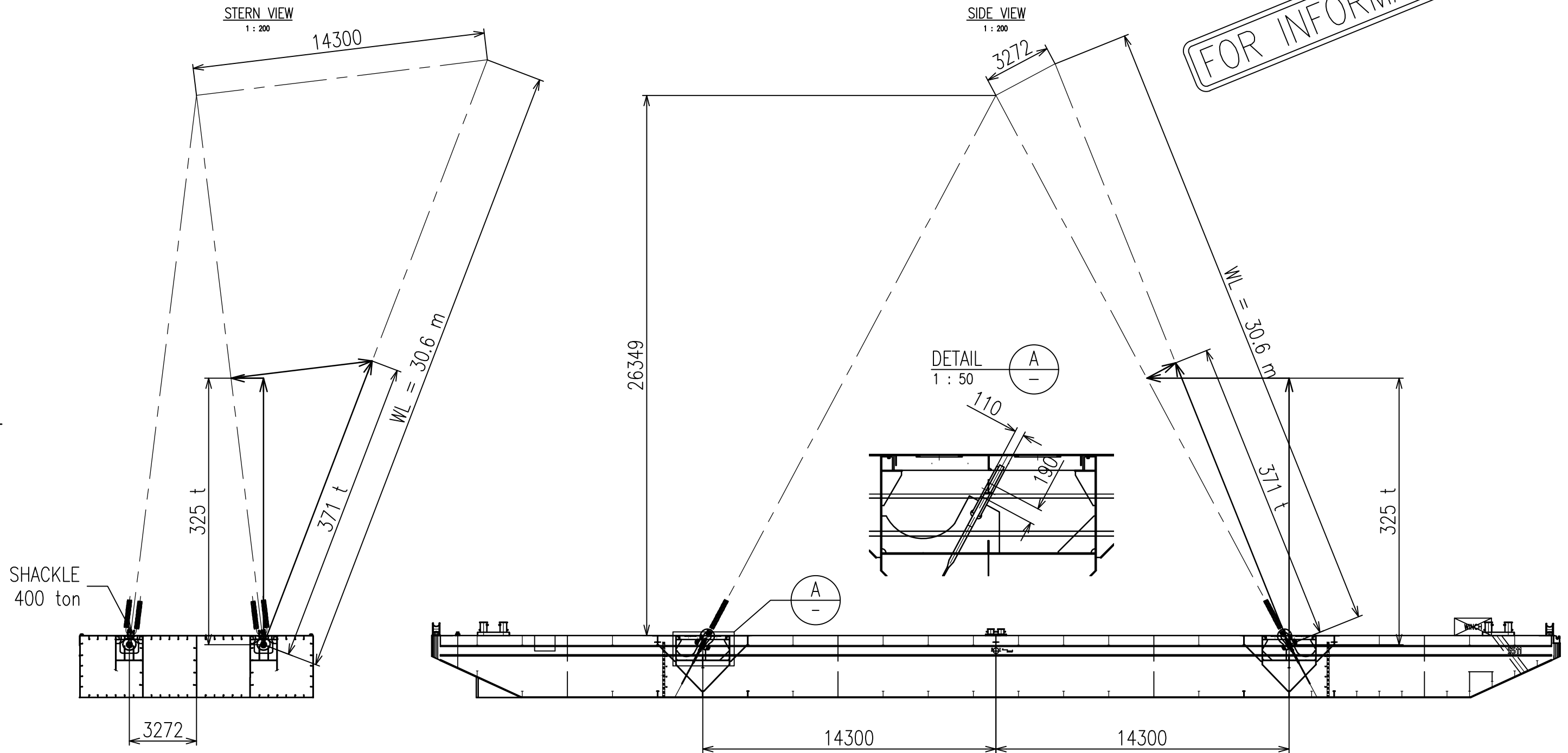


# LIFTING ARRANGEMENT

FOR INFORMATION ONLY



**Remark:**  
 MAXIMUM ALLOWABLE TEST WEIGHT APPROVED BY CLASS: 1300t  
 RIGGING IS NOT INCLUDED IN THE MAXIMUM ALLOWABLE TEST WEIGHT.  
 THIS LIFTING ARRANGEMENT IS TYPICAL. OTHER CONFIGURATIONS CAN BE ENGINEERED AT REQUEST.  
 BALLAST CONFIGURATION TO BE DETERMINED BASED ON TEST WEIGHT AND LIFTING ARRANGEMENT.

E	-	-	-
D	-	-	-
C	Change of Class	JV	12-04-2017
B	LAYOUT	JV	19-05-2015
A	UP-DATED	JV	01-09-2010
0	FIRST ISSUE	JV	07-07-2010
NO.	REMARKS	DRAWN	DATE
Approved:		Date:	
Approved:		Date:	

**Muller Zwaar Transport BV**  
 Merwekade 82-83, 3311TH Dordrecht  
 PObox 400, 3300AK Dordrecht  
 Phone: +31 (0)78 639 2000  
 Fax: +31 (0)78 639 2019  
 E-mail: engineering@muller-dordrecht.nl



**NOTICE :** This drawing and the information it contains are the property of Muller Zwaar Transport BV and may not be reproduced or used in part or in whole for any purpose except by written permission of this company.

TEST PONTOON 5511 LIFTING ARRANGEMENT			
Principal <b>MULLER ZWAAR TRANSPORT</b> DORDRECHT - THE NETHERLANDS			
Project	5511	Sheet	1
Dwg.	19.001	Nr. of Sh.	1
Projection	Scale	1 : 200	Size
	Drawn	JV	A3
	Date	07-07-2010	